

## Nicab Compact®

Secondary refrigerant valves 2 or 3 way intended to be built in with display cabins and so on.

- Internal relay
- 1 LED for indication
- 3 O-rings in EPDM rubber
- Internal condense protection
- Small measures
- Compatible with earlier versions
- DN15 - DN20



## NICAB Compact: Motoriserad ballvalve for sec. refrigerants HT -15 °C / LT -35 °C DN 15 – DN 20

The COMPACT range of 2 and 3 way motorised ball valves are designed for use in secondary refrigerant systems (both HT and LT temperature i.e. -15° C to -35° C). The ball in the 3-way diverting valve is specifically designed to ensure constant flow when the valve changes position i.e. when defrosting. The motorised actuator has a LED fitted that indicates the valve position. The valve is compatible with most secondary refrigerants including Glycol, Freezium, Hy-Cool, Temper and Tyfoxit.

The valve must be fitted in an upright or horizontal position, never fitted with the actuator facing downwards. The internal heater is always connected by internal wired scheme, to avoid condensation on the printed circuit board.



Art. No	Description	DN	Kvs m3/h	Voltage	Weight (kg)	
422HT215	2-way motorised ballvalve	15	16	230V (24V)	1,0	For LT use art. no 422LT215
422HT220	2-way motorised ballvalve	20	27	230V (24V)	1,2	For LT use art. no. 422LT220
423HT315	3-way motorised ballvalve	15	12	230V (24V)	1,1	For LT use art. no. 423LT315
423HT320	3-way motorised ballvalve	20	17	230V (24V)	1,2	For LT use art. no. 423LT315

### Technical information, actuator

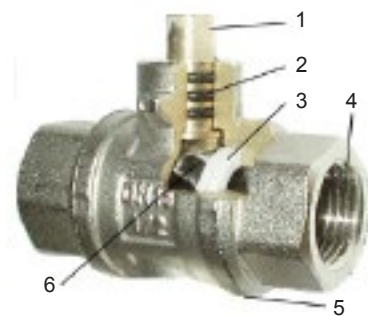
Power supply	230V~, 50...60 Hz (standard)	Permissible ambient temp,	-25...70 °C
	24V~, 50...60 Hz (option)		Permissible ambient humidity
Power consumption	When running	Torque	9 Nm
	Idle		Turning angle
Condens protection (internal)	Heater 33K, 5W	Running time	ca 60 sec.
		Protection	IP 65 enligt EN 60529
		Noise while running	< 30 dB(A)

### Technical information, valve

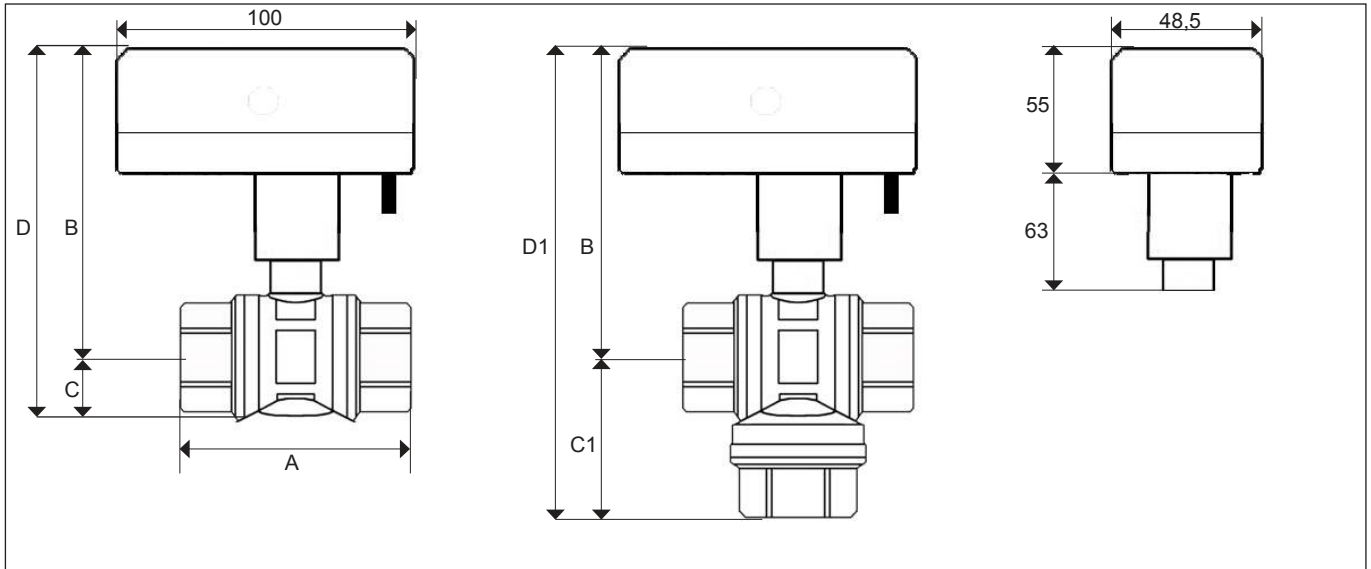
Nominal pressure	PN16
Max operating pressure	10 bar
Max differential pressure	3,0 bar
Sec. Ref. temp HT	-15...95 °C
Sec. Ref. temp LT	-35...95 °C
Turning angle	90°

### Construction:

1. Axle in chrome plated brass
2. 3 O-rings in EPDM rubber
3. Disk PTFE
4. Female thread BSP, standard (Male optional)
5. Body in low zinc plated brass
6. Ball in chrome plated brass



## Drawing



### Measures 2-way valve

DN	A	B	C	D	KG	Kv	Art. No	Rsk. Nr.
15	66	123,5	17	140,5	1,0	16	422HT215	5363185
20	76	128	21,5	149,5	1,2	27	422HT220	5363186

### Measures 3-way valve

DN	A	B	C1	D1	KG	Kv	Art. No	Rsk. Nr.
15	66	123,5	44	167,5	1,1	12	423HT315	5363187
20	76	128	54,5	182,5	1,2	17	423HT320	5363188

### Electrical wiring 230V

Blue = Neutral (N)  
 Brown = Phase (L1)  
 Black = Thermostat  
 Yellow/Green = Ground

Blue and Brown is always connected. When black is connected the valve opens and the red light is turned off.

Connection of the 24V version is done the same way,

