

INTRODUCTION

Hansen Technologies introduces the MVP65 - MVP100 valve station sizes to the MVP Multi-Valve Platform product line. These offer the enhanced control functionality of a gas-powered two-step suction stop valve, a brand new feature for MVP valves. Ships pre-tested and assembled for quick and easy installation, requiring only two welds to complete most valve station applications. No disassembly is required.

These new additions to the MVP family now offer 3"(80mm) and 4"(100mm) port sizes and are configured using standard Hansen parts and parts kits—saving you time and money on installation and training.

APPLICATIONS

The functions available on MVP65 - MVP100 are: stop valve, control valve (solenoid/pressure regulator/motorized), or gas-powered suction stop valve.

ADVANTAGES

Installed cost savings is a huge advantage of the entire MVP family; faster installation and less pipe cutting, welding, assembly time, insulation and freight equals reduced cost. In addition, the compact valve body saves installation space.

MVP65 - MVP100 valves include 3 pressure gauge ports as well as a customizable side port feature for use with defrost condensate piping. Comes standard with ACT coating to provide high corrosion resistance for long life in harsh environments.

TECHNICAL SPECIFICATIONS

Safe Working Pressure: 400 psig (28 bar g)

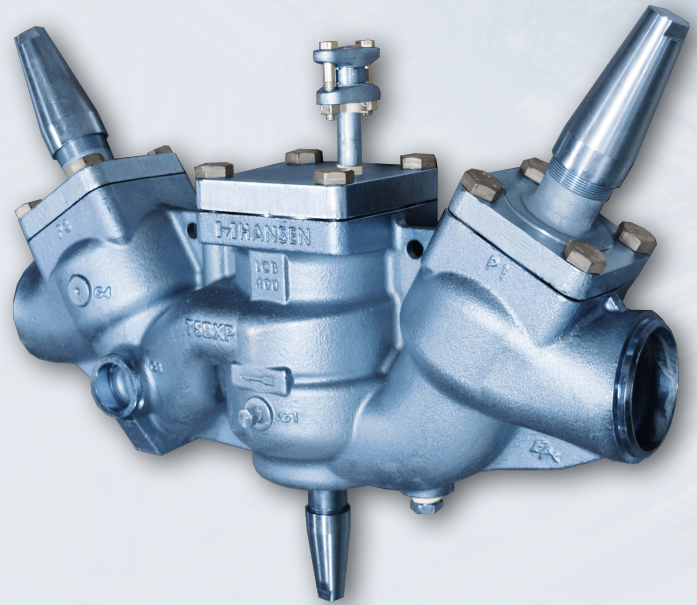
Operating Temperature: -60° to 240°F (-51° to 115°C)

Materials

Body: ACT coated cast steel, ASTM A352 Grade LCB

Bonnet: Ductile iron, ASTM A536

Other: ACT coated or stainless steel



MVP100-1HCK

FEATURES

- Reduced installation time and cost
- Manual opening function standard
No stop valve stems in the bottom of valve
- Pressure regulator or solenoid control function
- Motorized control functions
- Gas-powered two-step suction stop function
- Four to six control functions in one unit
- All stop valve stems are in vertical up position
- Simple, identifiable configuration
- Eliminates flange gasket leak potential
- ACT standard

PORT SIZES

2-1/2" (65mm)

3" (80mm)

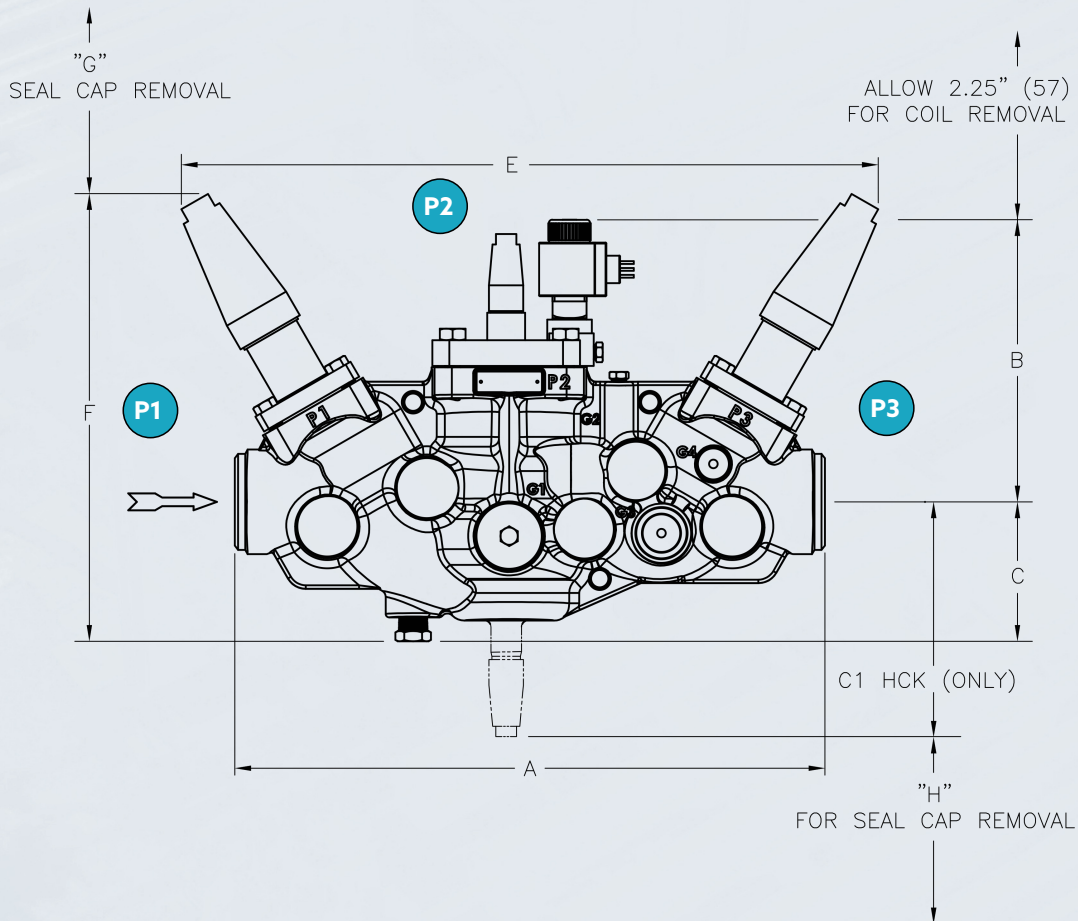
4" (100mm)

CONNECTION STYLES

Butt Weld: 2-1/2" to 4" (65mm to 100mm)

SAMPLE CONFIGURATIONS FOR COMMON VALVE APPLICATIONS

APPLICATION	P1 POSITION 1	P2 POSITION 2	P3 POSITION 3	TYPICAL MODELS
HOT GAS VALVE	SHUT-OFF	SOLENOID	SHUT-OFF	MVP__-1/____
TEMPERATURE / PRESSURE CONTROL	SHUT-OFF	REGULATOR	SHUT-OFF	MVP__-1A/____
SUCTION, DUAL PRESSURE	SHUT-OFF	REGULATOR	SHUT-OFF	MVP__-1AD/____
SUCTION STOP	SHUT-OFF	REGULATOR	SHUT-OFF	MVP__-1AS/____
SUCTION STOP - LOW ΔP	BLANK	SUCTION STOP	SHUT-OFF	MVP__-8HCK/____
TEMPERATURE / PRESSURE CONTROL	SHUT-OFF	MOTORIZED	SHUT-OFF	MVP__-1MCV/____



PORT SIZE (mm)	DIMENSIONS (mm)								
	A	B (MIN/MAX)	C	C1 (HCK ONLY)	D (WIDTH MAX)	E	F	G	H
2½"-3" (65-80)	21.50" (546)	10.28" / 15.0" (261/381)	5.08" (129)	8.51" (216)	12" (305)	25.65" (651)	16.55" (420)	5" (651)	4" (420)
4" (100)	28.75" (730)	10.58" / 15.25" (269/387)	5.87" (149)	10.43" (265)	14" (356)	29.48" (749)	19.21" (488)	5" (127)	4" (102)

TO ORDER

Specify connection size, control valve configuration (solenoid / regulator / suction stop / motorized), coil voltage and connection (leaded or DIN) and options if required. Unless specified, solenoid will have standard coil with 18" leads and 1/2" fitting, 115V.



681 Commerce St
Burr Ridge, Illinois, 60527 USA
Tel: 630.325.1565 Fax: 630.325.1572 Toll: 866.4HANSEN
Email: sales@hantech.com Web: www.hantech.com