

Stainless Steel Safety Bollards

Specification

PolySto Stainless Steel Safety bollards protect internal areas against possible damage caused by daily activities and provides protection for installations, machines, door openings and any other damage-prone element.

The bollards are filled with concrete to provide extra protection against heavy material handling.

Installation in the construction floor (core drilling) using the 2-component PolySto Chemfix or installation on top of the finished floor by means of a base plate (8 mm thickness) with 4 x M16 stainless steel anchors (chemical anchorage) with closed domed cap nut.

Properties

- Protection for hinged doors, sliding doors and gates, etc....
- High quality stainless steel AISI 304 L (316 L on request)
- Extra solid by concrete core
- In accordance with statutory regulations
- Rounded and full welded top
- Glass bead blasted (alternative: brushed K320)
- Safe / Robust / High-quality finish
- Serial production
- Modular
- Special fastening system

Protection levels



Impact level 3 against manual pallets:



Impact level 4 against electric pallet trucks:



Impact level 5 against engine driven forklifts:

Drilling the holes

The stated consumption of silicone and Chemfix is based on our experience by drilling the holes with the following diameters.

Of course, each situation is specific and these stated amounts are only a guide.

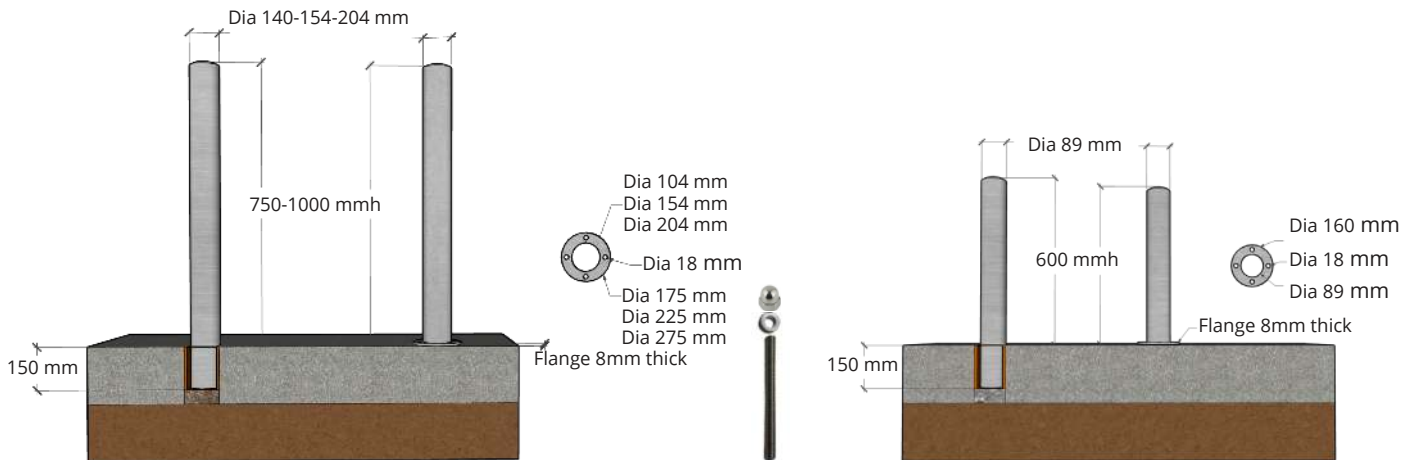
Diameter of the tube	Diameter of the hole
89	95
104	110
154	160
204	210

diameter 89 mm and 104 mm

diameter 154 mm

diameter 204 mm





Technical data 'safety bollard' for core drilling

Article N°	P89/600+150	P104/750+150	P204/750+150	P104/1000+150 *	P154/1000+150	P204/1000+150 *
	H: 750 mm	H: 900 mm	H: 900 mm	H: 1.150 mm	H: 1.150 mm	H: 1.150 mm
	Ø: 89/2 mm	Ø: 104/2 mm	Ø: 204/2 mm	Ø: 104/2 mm	Ø: 154/2 mm	Ø: 204/2 mm
Height	600 + 150 mm	750 + 150 mm	750 + 150 mm	1.000 + 150 mm	1.000 + 150 mm	1.000 + 150 mm
Diameter	89 mm	104 mm	204 mm	104 mm	154 mm	204 mm
Wall tickness SS	2 mm	2 mm	2 mm	2 mm	2 mm	2 mm
Weight	14.5 kg	21 kg	75 kg	28 kg	54 kg	100 kg
Max amount on europallet	25 pc	25 pc	10 pc	25 pc	12 pc	10 pc
Consumption Chemfix	1 pc (350 cc)	1 pc (410 cc)	2 pc (820 cc)	1 pc (410 cc)	1.5 pc (550 cc)	2 pc (820 cc)
Consumption silicone	45 cc	50 cc	100 cc	50 cc	75 cc	100 cc
Protection level	3	3	4b	3	4a	4b

Technical data 'safety bollard' with base plate (Flange)

Article N°	P89/600FL	P104/750FL	P204/750FL	P104/1000FL *	P154/1000FL	P204/1000FL
	H: 600 mm	H: 750 mm	H: 750 mm	H: 1.000 mm	H: 1.000 mm	H: 1.000 mm
	Ø: 89/2 mm	Ø: 104/2 mm	Ø: 204/2 mm	Ø: 104/2 mm	Ø: 154/2 mm	Ø: 204/2 mm
Height	600 mm	750	750	1.000	1.000	1.000
Diameter	89 mm	104 mm	204 mm	104 mm	154 mm	204 mm
Wall tickness SS	2 mm	2 mm	2 mm	2 mm	2 mm	2 mm
Weight	12 kg	17 kg	64 kg	24 kg	49 kg	90 kg
Number of M16 anchors	4 pc	4 pc	4 pc	4 pc	4 pc	4 pc
Max amount on europallet	15 pc	25 pc	9 pc	15 pc	9 pc	7 pc
Consumption Chemfix	80 cc	80 cc	80 cc	80 cc	80 cc	80 cc
Consumption silicone	45 cc	50 cc	100 cc	50 cc	75 cc	100 cc
Protection level	3	3	4b	3	4a	4b

* = stock article